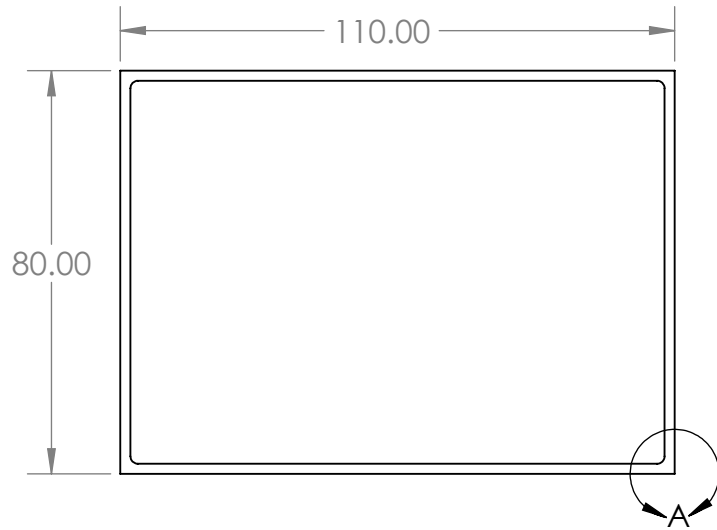
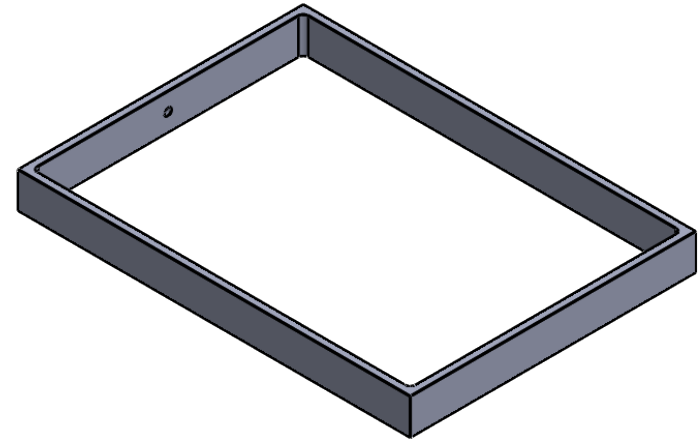


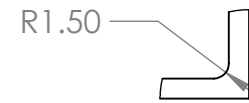
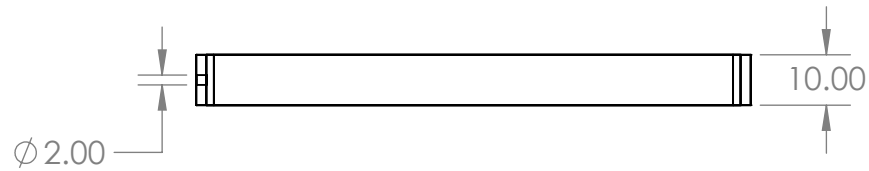
Top View



Isometric View



Side View



DETAIL A
SCALE 2 : 1.5

Material: HDPE
Units of Measure: MM

PROPRIETARY AND CONFIDENTIAL	THE INFORMATION CONTAINED IN THIS DRAWING IS THE SOLE PROPERTY OF Tim Dellar. ANY REPRODUCTION IN PART OR AS A WHOLE WITHOUT THE WRITTEN PERMISSION IS PROHIBITED.	Battery Mould	
		Battery Mould	SHEET 1 OF 1
		SCALE: 1:1.5	