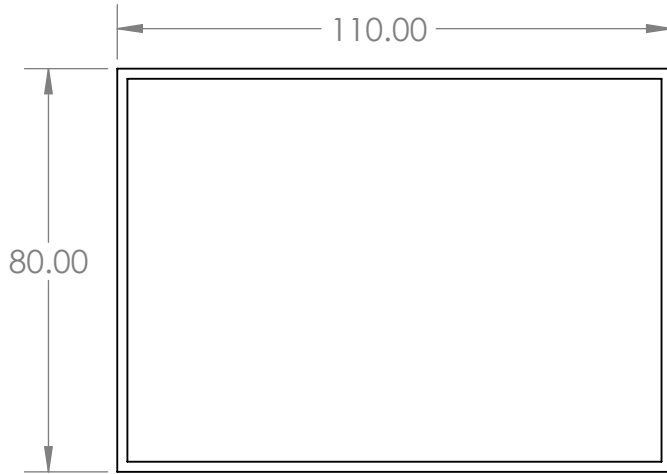
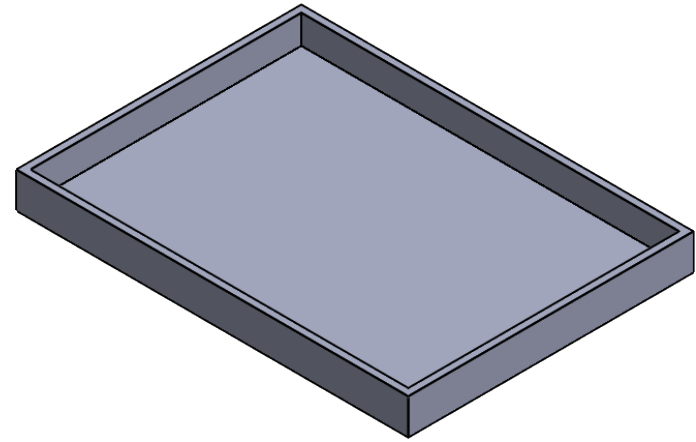


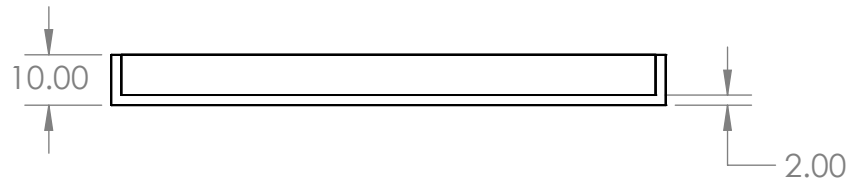
Top View



Isometric View



Side View



Material: HDPE
Units of Measure: MM

PROPRIETARY AND CONFIDENTIAL	THE INFORMATION CONTAINED IN THIS DRAWING IS THE SOLE PROPERTY OF Tim Dellar. ANY REPRODUCTION IN PART OR AS A WHOLE WITHOUT THE WRITTEN PERMISSION IS PROHIBITED.	Battery Mould	
	Battery Mould	SCALE: 1:1.5	SHEET 1 OF 1